

## INSTALLATION INSTRUCTION

### WIRELESS SMART SPEAKER WITH DANCING LIGHT



#### INTRODUCTION & WARRANTY

**1** YEAR  
WARRANTY\*

Thank you for selecting and buying V-TAC Product. V-TAC will serve you the best. Please read these instructions carefully before starting the installation and keep this manual handy for future reference. If you have any other query, please contact our dealer or local vendor from whom you have purchased the product. They are trained and ready to serve you at the best.

The warranty is valid for 2 years from the date of purchase. The warranty does not apply to damage caused by incorrect installation or abnormal wear and tear. The company gives no warranty against damage to any surface due to incorrect removal and installation of the product.

### Package Contents

Polaroid wireless speaker  
 USB charging cable  
 Auxiliary cable  
 Instruction Manual

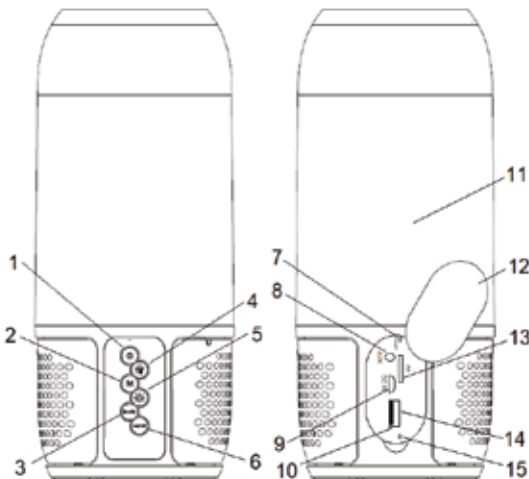
### Features

LED wireless speaker with Bluetooth<sup>®</sup> technology.  
 Bluetooth - connect & stream  
 Wireless music anytime, anywhere  
 Great for use at home or work  
 Built-in rechargeable battery  
 USB/micro SD card slot (USB Flash Drive & Micro SD Card not included)  
 Built-in aux jack  
 USB recharge cable included

### Safety Instructions

Read these instructions carefully.  
 Do not use this apparatus near water.  
 Clean only with dry cloth.  
 Do not block any ventilation openings.  
 Do not use near any heat sources such as radiators, heat registers, stoves, or other apparatus (including amplifiers) that produce heat.  
 Protect the power cord from being walked on or pinched particularly at plugs.  
 Only use attachments/accessories specified by the manufacturer.  
 Unplug this apparatus during lightning storms or when unused for long periods of time.

### DESCRIPTION PARTS



- |   |                            |
|---|----------------------------|
| 1 ON/OFF Button                             | 12 Rubber Cover            |
| 2 Mode Button                               | 13 Micro SD (TF) Card Slot |
| 3 Skip Forward (OR) Volume Increase Button  | 14 USB Slot                |
| 4 Play/Pause/Phone Button                   | 15 Built in Speaker        |
| 5 LED Light Button                          |                            |
| 6 Skip Backward (OR) Volume Decrease Button |                            |
| 7 Reset                                     |                            |
| 8 Auxiliary Port                            |                            |
| 9 Charging Port                             |                            |
| 10 LED Indicator                            |                            |
| 11 Multi-colored LED Lights                 |                            |



## Instructions FOR USE

### Charging the speaker

1. The speaker has a built-in rechargeable battery. When the battery is running flat the, speaker will turn OFF automatically. Please recharge the battery.
2. It takes 4 - 5 hours to fully charge the speaker. Once the speaker is fully charged, LED Light would turn OFF.
3. It is recommended to fully charge the speaker before its first use. Turning ON/OFF the Speaker - before Turning the speaker ON, please ensure that it is fully charged.
4. Press and hold the ON/OFF button to for 2-3 seconds to turn on/off the unit.

## Wireless Connection

- Press and hold the ON/OFF button for 2-3 seconds to turn the unit ON. You would hear an indication tone, indicating that you are now in Bluetooth Pairing Mode.
- Activate the Bluetooth function on your source device (Mobile Phone or Tablet). Please refer to manufacturer's instructions for instructions on enabling Bluetooth on your device.
- Search for available Bluetooth devices and you would find "V-TAC" – Pair it with this device.
- If required, enter the password "0000" to pair with the device.
- Once paired successfully, you will hear another indication tone.
- You can now stream wireless music on your speaker through your device.

## STREAM MUSIC-USB Or Micro SD(TF) Card

- Turn ON the speaker.
- Insert the USB Flash Drive or Micro SD (TF) Card preloaded with songs, into the USB or Micro SD (TF) Card Slot of the speaker respectively. Speaker would automatically start playing songs from the USB Flash Drive or Micro SD (TF) Card.

Note: USB Flash Drive or Micro SD (TF) Card is not included.

- To Skip Track Forward – Short press the Skip Forward button.
- To Skip Track Backwards – Short press the Skip Backward button.
- To Pause the Track – Short press the Play/Pause button.
- To Play the Track – Short press the Play/Pause button.
- Long press Volume Increase button to increase the volume or Volume Decrease button to decrease the volume.

## Auxiliary Mode

Play music through “Auxiliary” mode

- Turn ON the speaker.
- Insert one end of the Auxiliary cable (included) into the Auxiliary port, and the other end to the audio device (such as phone / MP3 Player / computer / tablet / .....etc.).
- Select your favourite song at the source device to play
- Long press Volume Increase button to increase the volume or Volume Decrease button to decrease the volume.

Note: Play, Pause, Skip Forward, Skip Backward etc can only be controlled through the source devices, while playing music in Auxiliary mode.

## Multi-Coloured Lights

- Turn ON the speaker.
- Short press the LED Light Button each time to change the LED Light color pattern or turn off the LED lights.

## Troubleshooting

Problem	Possible Cause	Solution
<b>Low sound level</b>	Source (Tablet, Mobile Phone, Laptop, etc.) volume too low. Battery dead	Adjust source volume.  Charge Battery.
<b>Sound distorted</b>	Battery nearly dead	Charge Battery.
<b>No sound at all.</b>	Source (Tablet, Mobile Phone, Laptop.) turned off. Speaker turned off. Volume turned down source. Media paused on source.	Turn the source on.  Turn the speaker on. Adjust volume source. Play media from source.

## Care and maintenance

- Do not expose the unit to liquid, moisture or humidity to avoid the product’s internal circuit being affected.
- Don’t use abrasive cleaning solvents to clean the unit.
- Do not expose the unit to extremely high or low temperature as this will shorten the life of electronic devices, destroy the battery or distort certain plastic parts.
- Don’t dispose of the unit in fire as it will result in an explosion.
- Don’t expose the unit to contact with sharp objects as this will cause scratches and damage.
- Don’t let the unit fall down onto the floor. The internal circuit might get damaged.